

# HANA™

## NEMA

Environmental protection kit for the HANA™ High Availability Network Adapter

### Serious work requires a heavy duty solution.

Getting a web connection where you need it, isn't always pretty. Sometimes the best location is not environmentally ideal. In a place where water, dust, and grime are part of a normal days work, your average router won't hold it's own. You need something that can stare down Mother Nature and not break a sweat. You need a solution that can grab the internet by the tail and amplify it to keep your location online. You want a device that is quick to deploy, easy to set up, and cost effective.

### Introducing the HANA™ NEMA.

The only tool you need to connect to and maintain a strong internet connection in a challenging environment.

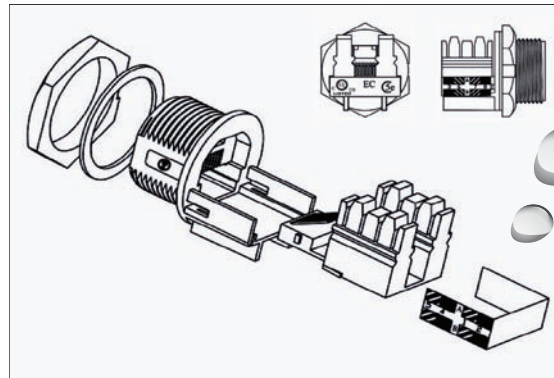


### How HANA™ NEMA works

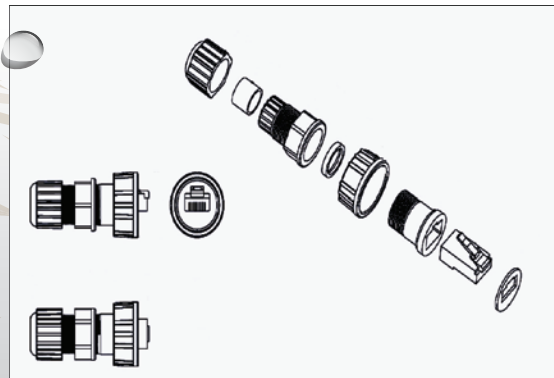
The HANA™ NEMA (high availability network adapter) incorporates a router and high gain antenna in order to receive and enhance 3G or WiMAX data card signal. The built in router broadcasts the signal creating a secure wireless network. The HANA™ NEMA can also create a wired network with built in weather sealed Ethernet ports.

The HANA™ NEMA improves speed and coverage offering advanced security, redundancy, and management protocols in the harshest of environments. HANA™ NEMA is also built to screen out the elements you can't see like signal interference in IT closets.

Land line connections may fail but the HANA™ NEMA ensures your business won't. Provide network insurance using auto-failover and anti-flap. If your primary connection fails, the built in router switches over to your 3G/WiMAX connection automatically creating 99.999% uptime.



NEMA Weather sealed Panel Connections



NEMA Weather sealed Cable Connections

### Who's it for?

- Construction Sites
- Boiler Rooms
- Machine Shops
- Indoor / Outdoor Use
- Remote Locations
- Utility Meters/Sub-Station
- Outdoor Security Systems
- Military
- Public Safety / Transportation
- Commercial & Freight Shipping
- Weather Stations
- Ship Docks
- Dairies
- Breweries
- Emergency Response
- IT Closets
- Campsite

### What it protects from

- Dust
- Dirt
- Moisture
- Corrosive Elements
- Ice Formation

# NEMA 4 on 1 Certified

The Association of Electrical and Medical Imaging Equipment Manufacturers

NEMA defines standards for various grades of enclosures typically used in industrial applications. Each is rated to protect against designated environmental conditions such as water, dust or corrosive agents.