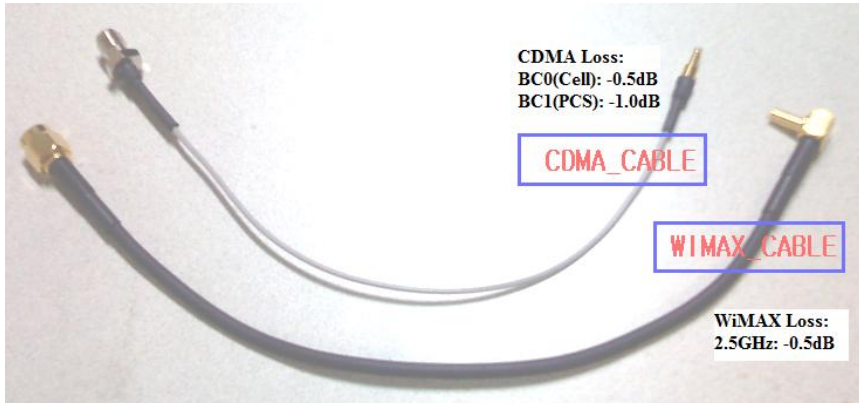


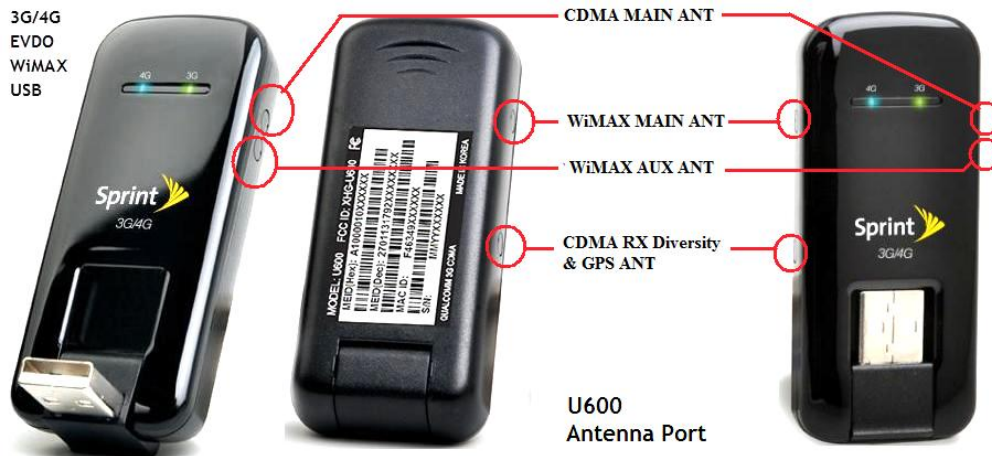
U600 RF Port Location and Cable information

1. CDMA RF cable
 - a. Cable loss: -1.0 dB (US PCS 1900MHz), -0.5 dB (CDMA 800MHz)
 - b. Maker: SMK
 - c. Test RF Cable Part Number: CRC7901-0303FReceptacle: CRS5001-3301F
Plug: CRC9001-4801F (External Antenna Pig tail)
2. WIMAX RF cable
 - a. Cable loss: -1.0 dB (2.5GHz~2.7GHz)
 - b. Maker: LS MTRON
 - c. Test RF Cable Part Number: GRS211-RFC20Receptacle: GRS211-2S-H28
Plug: GRS210-1P-xxxL (External Antenna Pig tail)

CDMA and WiMAX RF test Cable Photo

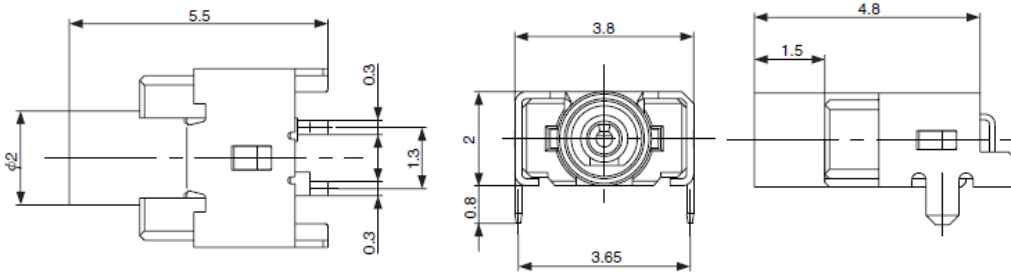


RF Port Location

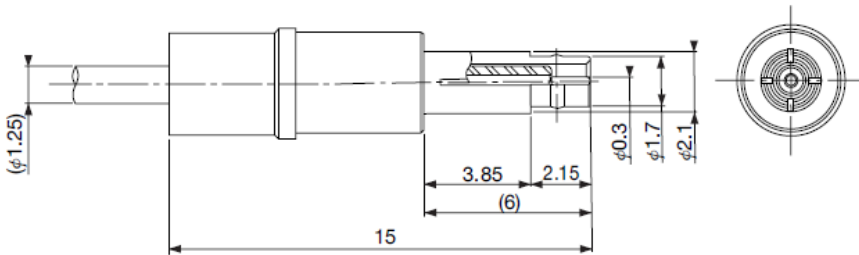


U600 CDMA Main/ RX Diversity and GPS Port

Receptacle CRS5001-3301F



Plug CRC9001-4801F

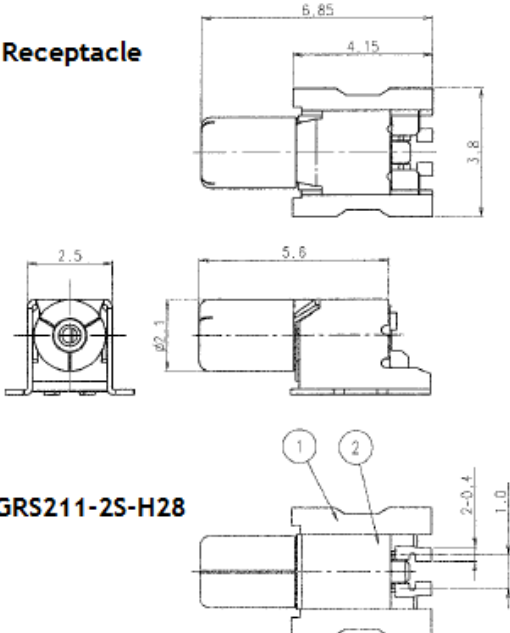


U600 WiMAX Main/Aux RF Port

Receptacle: GRS211-2S-H28

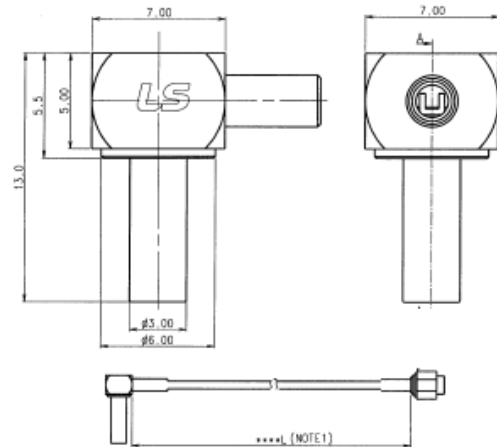
Plug: GRS210-1P-xxxL

Receptacle



GRS211-2S-H28

Plug



GRS210-1P-***L
Right Angle Type

Cable Assembly

Ordering Information

Series: GRS210 - 1P - ***L
No. of Position: Cable Length: Plug Connector