



2.6 GHz MMDS 14 dBi Wireless LAN Flat Patch Antenna

Model: HG2614P

Applications and Features

- Applications:**
- 2.6 GHz MMDS Band
 - IEEE 802.16 and 802.20
 - WiMAX Technology
 - Non-Direct Line of Sight (NLOS)
 - Wireless Internet Service Providers (WISP)
 - Wireless LAN systems
 - Compatible with Navini™ Ripwave®

- Features:**
- Superior performance
 - Light weight
 - Durable UV-stable, UL flame rated radome
 - Low loss solid brass elements
 - DC Short lightning protection
 - 12 inch coax lead
 - Can be installed for either vertical or horizontal polarization
 - Optional mounting brackets available



Description

Directional Flat Patch Antenna

The HG2614P is a high performance directional flat patch antenna suitable for indoor and outdoor applications in the 2.6GHz MMDS band. It is compatible with IEEE 802.16, 802.20 and WiMAX applications as well as NLOS applications.

The HG2614P is ideal for Wireless Internet Service Providers (WISP) offering service in the less crowded 2.6GHz band and is compatible with Navini™ Ripwave®. This WLAN antenna is lightweight and features an aesthetic UV-stable, UL flame rated white plastic radome which can also be painted to match the room or building structure. The HG2614P can be installed for horizontal or vertical polarization. It can be wall or ceiling mounted, as well as mast-mounted using U-bolts.

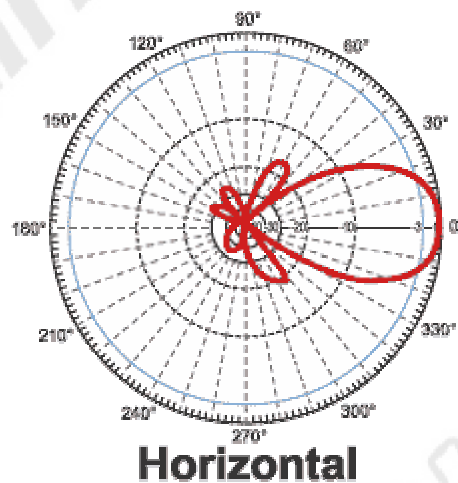
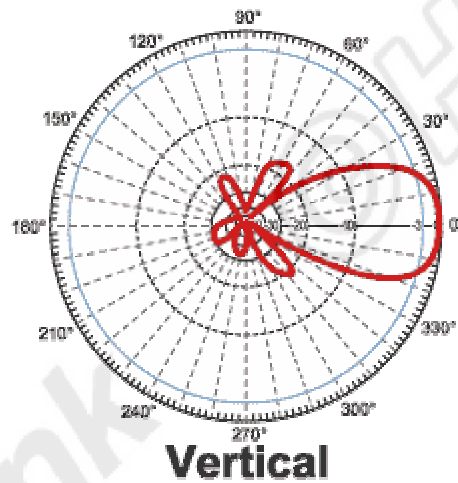
Specifications

Electrical Specifications

Frequency	2500-2700 MHz
Gain	14 dBi
Horizontal Beam Width	30 degrees
Vertical Beam Width	30 degrees
Impedance	50 Ohm
VSWR	< 1.5:1 avg.
Lightning Protection	DC Short


Mechanical Specifications










Weight	.95 lbs. (.43 Kg)
Dimensions	8.5 x 8.5 x 1 (inches) 216 x 216 x 26 (mm)
Radome Material	UV-inhibited Polymer
Flame Rating	UL 94HB
Mounting	Four ¼ in. (6.3 mm) Holes
Polarization	Horizontal or Vertical
Operating Temperature	-40° C to to 85° C (-40° F to 185° F)
Wind Survival	>150 MPH (241 KPH)

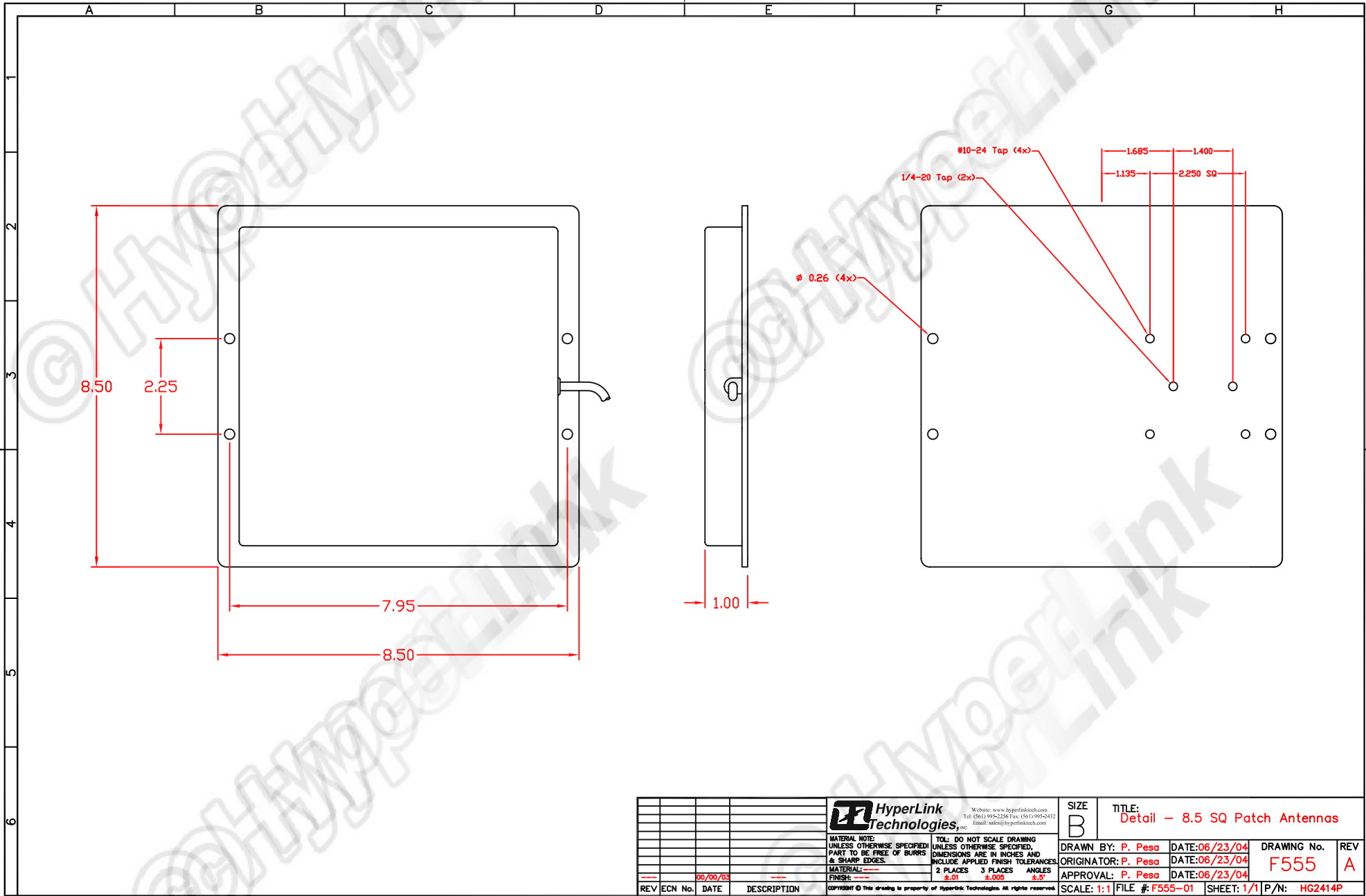
RF Antenna Gain Patterns




Mounting Options

Hyperlink's patch antennas offer several unique mounting options. They can be mounted flat against a wall, or to a mast using a pair of 2 inch U-bolts. The antennas also accept most tilt-and-swivel security camera brackets equipped with standard 1/4-20 threads.

	Description	Part Number
	Small Metal Tilt-and-Swivel Mounting Bracket for indoor wall mounting. Includes wall-mounting hardware.	HGX-PMT02
	Medium Plastic Tilt-and-Swivel Mounting Bracket for indoor wall mounting. Includes wall-mounting hardware.	HGX-PMT03
	Large Metal Tilt-and-Swivel Mounting Bracket for indoor and outdoor wall or mast mounting. Includes wall-mounting hardware. Can be mast-mounted using U-Bolt Kit (sold separately).	HGX-PMT04
	Universal Antenna Mount powder coated galvanized steel "DSS-style" arm for outdoor wall mounting. Requires a pair of 2 inch U-bolts (sold separately).	HGX-UMOUNT
	Stationary Mounting Kit for mounting to 1-1/4" to 2" dia. masts. Includes U-Bolts, nuts and mast clamp.	HGX-PMT07
	60 Degree Tilt-and-Swivel Mounting Kit for mounting to 1-1/4" to 2" dia. masts. Mounting hardware included.	HGX-PMT06
	Ceiling/Wall Universal Antenna Mount can be used with HyperLink's 4.5" sq and 8.5" sq. patch antennas as well as N-Type bulkhead and TNC/BNC bulkhead omni directional antennas. Includes ceiling/wall mounting hardware.	HGX-UMOUNT02
	Universal Corner Mounting Bracket: This bracket is designed to mount to an outside corner of a structure. It can be used with HyperLink's 4.5" and 8.5" sq. patch antennas, radome enclosed Yagi antennas, the HGX-PMT02 tilt & swivel bracket and can also accommodate the SC2402N and SC5802N 2-Way signal splitters as well as HyperAmp outdoor amplifiers.	HGX-UMOUNT03
	Window Mounting Kit Includes suction cups and mounting hardware.	HGX-PMT08



			 Website: www.hyperlinktech.com Tel: (861) 995-2258 Fax: (861) 995-2432 Email: sales@hyperlinktech.com		SIZE B	TITLE: Detail - 8.5 SQ Patch Antennas
MATERIAL NOTE: UNLESS OTHERWISE SPECIFIED, PART TO BE FREE OF BURRS & SHARP EDGES.			TOL: DO NOT SCALE DRAWING UNLESS OTHERWISE SPECIFIED, DIMENSIONS ARE IN INCHES AND INCLUDE APPLIED FINISH TOLERANCES.		DRAWN BY: P. Pesa DATE: 06/23/04 DRAWING No.	REV
MATERIAL:			2 PLACES 3 PLACES ANGLES \pm .01 \pm .005 \pm .5°		ORIGINATOR: P. Pesa DATE: 06/23/04 F555	A
FINISH:			APPROVAL: P. Pesa DATE: 06/23/04		SCALE: 1:1 FILE #: F555-01 SHEET: 1/1 P/N: HG2414P	
REV ECN No.	DATE	DESCRIPTION	COPYRIGHT © This drawing is property of Hyperlink Technologies. All rights reserved.			