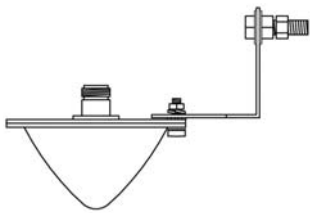


## MPA-700-N

Dual Band | Ceiling Mount Antenna | VV-Pol | Field Selectable Horizontal Beamwidths 360°, Elliptical, 180° or 90° | 3.0 / 5.0 dBi

- Dual Band ceiling mount antenna
- Change the horizontal beamwidth by changing the pin configuration for maximum flexibility at installation
- Horizontal beamwidth options of 360°, Elliptical, 180° or 90° on the low band and 360° and Elliptical on the high band
- 40° Electrical Downtilt points coverage to the floor where it's needed

Electrical Characteristics						
Frequency Bands (MHz)	696-960 MHz			1710-2700 MHz		
Polarization	Vertical					
Horizontal Beamwidth	Depending on Pin Configuration					
	360°	Elliptical	180°	90°	360°	Elliptical
Vertical Beamwidth	76°	72°	70°	73°	76°	72°
Gain	3.0 dBi			5.0 dBi		
Electrical Downtilt	40°			40°		
Impedance	50Ω			50Ω		
VSWR	≤ 1.8:1			≤ 1.5:1		
Input Power	250 W					
Connector(s)	1 port / N-Type Female / Top					
Mechanical Characteristics						
Dimensions (Diameter x Height)	220 x 122 mm			8.7 x 4.8 in		
Weight without Mounting Bracket	0.42 kg			0.92 lbs		
Color	White					
Pins	Included (White)					
Mounting Options	Image	Part Number				
Mounting Bracket Kit		21210000				



Quoted performance parameters are provided to offer typical or range values only and may vary as a result of normal manufacturing and operational conditions. Extreme operational conditions and/or stress on structural supports is beyond our control. Such conditions may result in damage to this product. Improvements to product may be made without notice.

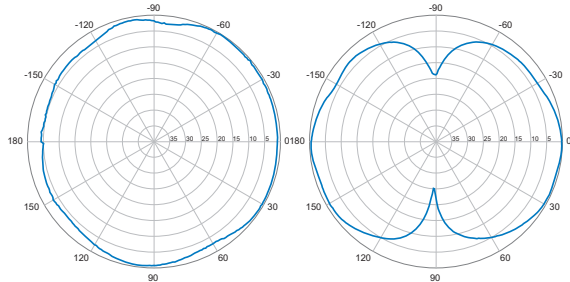
**MPA-700-N**

Dual Band | Ceiling Mount Antenna | VV-Pol | Field Selectable Horizontal Beamwidths 360°, Elliptical, 180° or 90° | 3.0 / 5.0 dBi

**Pin Configuration for 360° Pattern**



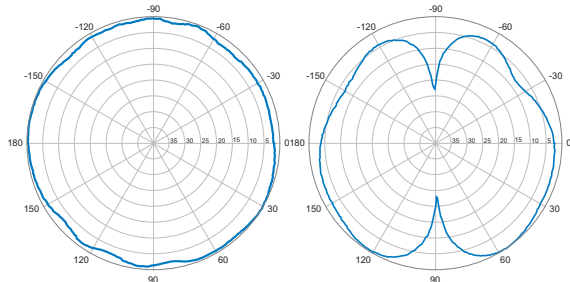
**696-960 MHz - 360°**



Horizontal

Vertical

**1710-2700 MHz - 360°**



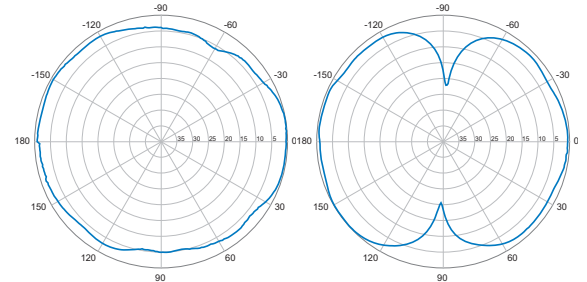
Horizontal

Vertical

**Pin Configuration for Elliptical Pattern**



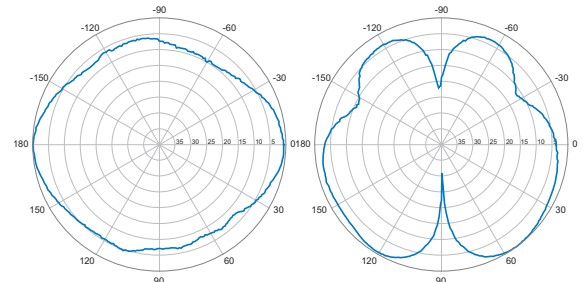
**696-960 MHz - Elliptical**



Horizontal

Vertical

**1710-2700 MHz - Elliptical**



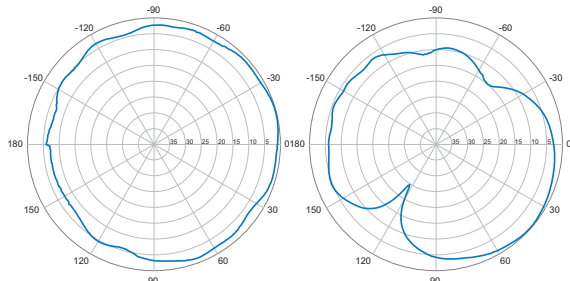
Horizontal

Vertical

**Pin Configuration for 180° Pattern**



**696-960 MHz - 180°**



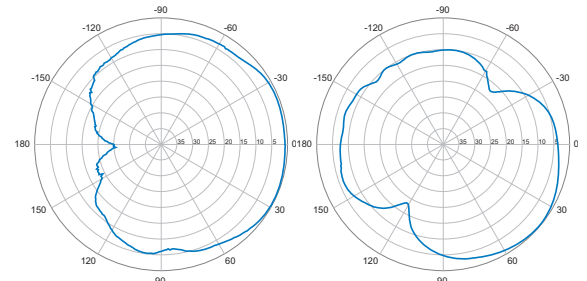
Horizontal

Vertical

**Pin Configuration for 90° Pattern**



**696-960 MHz - 90°**



Horizontal

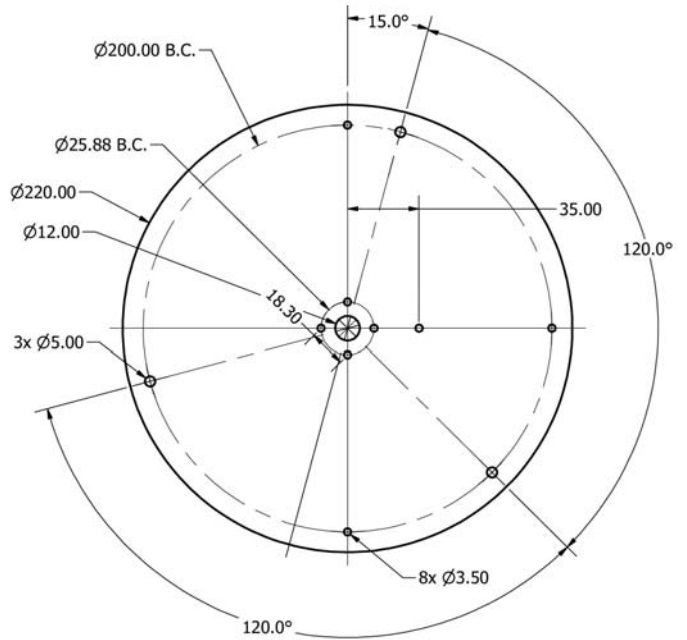
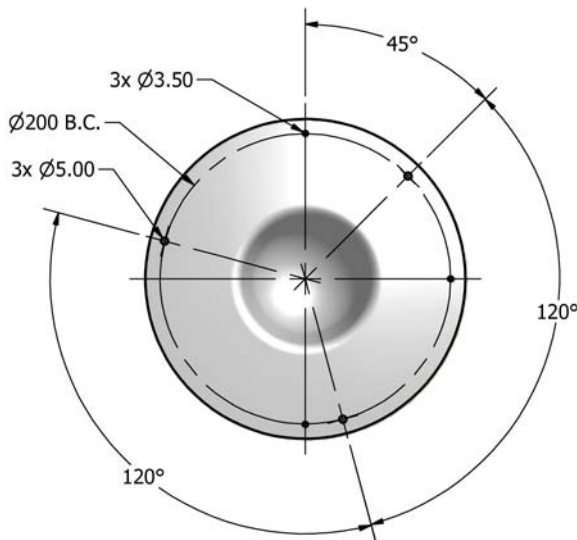
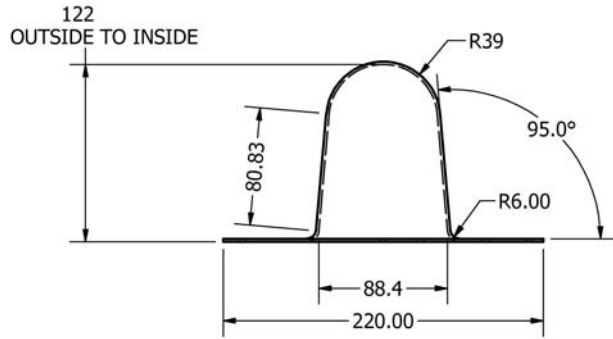
Vertical

Quoted performance parameters are provided to offer typical or range values only and may vary as a result of normal manufacturing and operational conditions. Extreme operational conditions and/or stress on structural supports is beyond our control. Such conditions may result in damage to this product. Improvements to product may be made without notice.

MPA-700-N

Dual Band | Ceiling Mount Omni | VV-Pol | Field Selectable Horizontal Beamwidths 360°, Elliptical, 180° or 90° | 3.0 / 5.0 dBi

Dimensions



Quoted performance parameters are provided to offer typical or range values only and may vary as a result of normal manufacturing and operational conditions. Extreme operational conditions and/or stress on structural supports is beyond our control. Such conditions may result in damage to this product. Improvements to product may be made without notice.