

Twist-Lock Ancillary Power Tap



5730-05-1
5731-05-1

Photocontrols Sold Separately

5730-05-3
5731-05-3

5730-05-2
5731-05-2

For Convenient Access To 120 Volt Ancillary Power From Lighting Poles

Use for powering:

- Decorative Holiday Lighting
- Wi Fi (802.11) Hot Spots
- Monitoring Systems
- Cameras, Radios

Exclusive Features

Draws Power Directly From Streetlight Luminaires

Low Profile (4" Tall)

Solid Brass Contact Blades

Simple Twist-lock Mounting Into Existing Twist-lock Outlet

Auto Reset Breaker

Independent Relay Will Not Overload Photocontrol (Luminaire is protected)

No Hard Wiring Required

Universal Plug And Receptacle

Rugged UV Stabilized Permanent Color, High Impact Resistant ABS Housing

Heavy Duty, Utility Grade, Built For Harsh Outdoor Elements And Environment

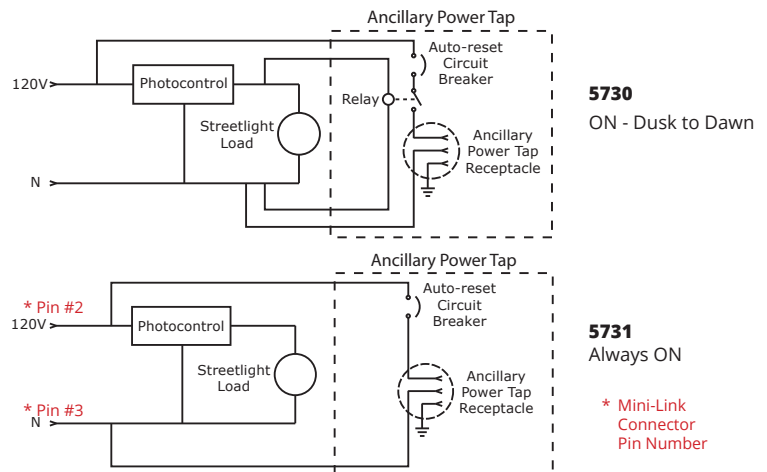
Meets or exceeds rigid quality requirements of SouthConn Technologies Inc. and applicable ANSI C136.10, and C136.24 and C136.41

WARRANTY: 1 year from date of manufacture

Phone: 803-939-4700
Fax: 803-939-4777
E-mail: Sales@RipleyLC.com

www.RipleyLC.com

	5730-05	5731-05
Configuration	On from dusk to dawn Photocontrol maintains normal operation	Always On Photocontrol maintains normal operation
Nominal Voltage 60 Hz	120	
Voltage Range	105—135	
Base	Standard 3-prong twist-lock per ANSI C136.10	
Housing	3-1/2" Diameter Polypropylene	
Cord Length	5 Feet (Standard) - Other cord lengths available	
Cord Connection *	available with pigtail, 2-prong receptacle, or 3-pole Female Mini-Link	
Circuit Breaker	10 amp, auto-reset	
Load Rating	10 amp	
Operating Temperature	-40C to +70C (-40F to +158F)	
Photocontrol	Not included. Sold separately	
Dielectric Strength	5000 Volts between current carrying parts and metal surfaces	
* Cord Connection Options	Option Code (Add to end of Model Number)	
Pigtail	-1	
2-prong receptacle	-2	
3-pole Female Mini-Link	-3 (special order)	



Example Order #: 5730-05-1 signifies a 5730 Ancillary Power Tap (On from dusk to dawn), with pigtail cord connection

